

**W**e shall build a corporate culture full of vitality and hold high goals.

To develop human resources who have a through understanding of our policies and strategies and can accomplish our goals with passion.

**W**e shall constantly pursue creativity and contribute to the prosperity of customers and society.

To provide products that gains the admiration, comfort and full satisfaction from our customers.



**BRANT HYDRAULICS CORPORATION**  
( a member of BSTG )

3A08, No.5 Hsin-Yi Rd., Sec.5, Taipei Taiwan.

Tel: +886-2-27296709(Rep.)

Fax: +886-2-27296759

Website: [www.brant-hydraulics.com](http://www.brant-hydraulics.com)

E-mail: [sales@brant-hydraulics.com](mailto:sales@brant-hydraulics.com)

Taoyuan Research Center

No.687-8, Sec. 2, Dakeng Rd., Gushan Township,

Taoyuan County, Taiwan

Tel: +886-3-3163181(Rep.)

Fax: +886-3-3165630



**BRANT**  
**HYDRAULICS**



**BRANT**  
**HYDRAULICS**

*The Right Supplier for you*

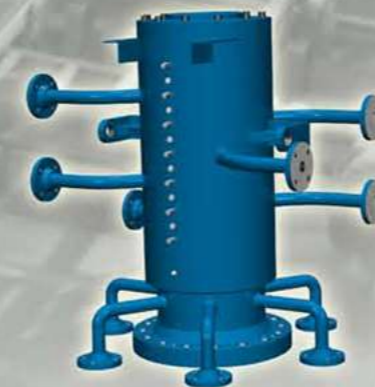
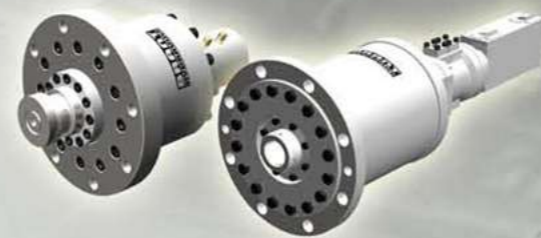
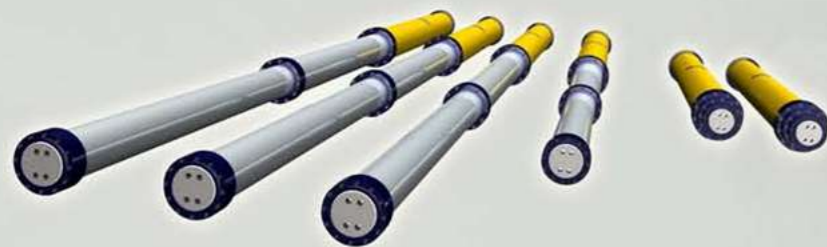
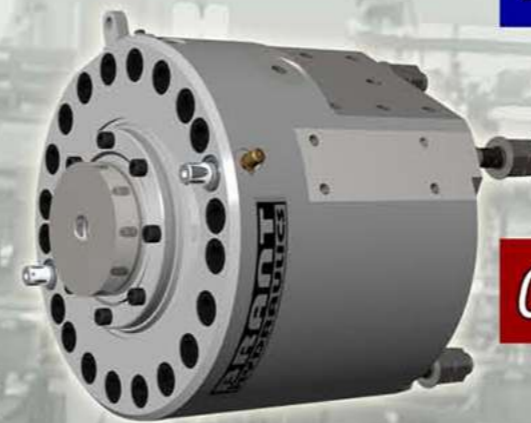


With BRANT™,  
you have more competitiveness.

Brant Hydraulics supplies high quality hydraulic cylinders manufactured in modern factories with advanced technology equipments and quality management meeting ISO 9001.

With BRANT™,  
you get quality products  
with reasonable prices.

You can find our products on a broad range of the finest machinery and equipment everywhere. Brant Hydraulics is fully prepared to design and supply the optimum hydraulic solution for you.



## 04 Company Introduction

Brant Science and Technology Group™ (BSTG)  
Brant Hydraulics Corporation  
Why BSTG?

## 08 Capabilities

- Material Acquisition
- Forging
- Hard Chrome Plating
- Machining
- Welding
- Quality Control
- Design Capabilities

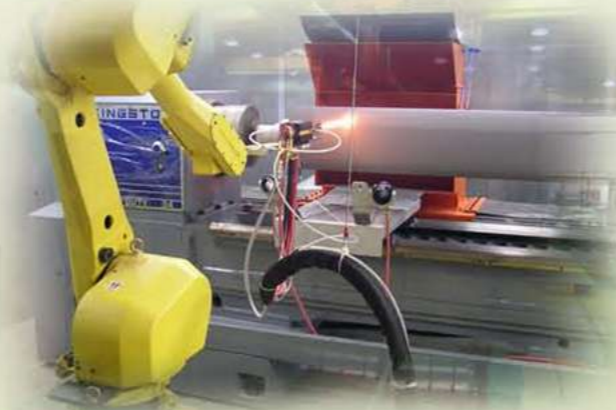
## 11 Production

- Cylinders
- Power Units
- System Integrating for Customer (OEM & ODM)



# Brant Science and Technology Group™

BSTG is a multi-divisional, multi-national re-organized group with many years of combined product, technology and engineering experience. We are founded to adapt the global competition and integration. Our technical and sales teams are experts come from Asia, America and Europe.



Members of BSTG include raw materials supplier, forging mills, welding plants, electroplating plants, quality control, various machining workshops and technical innovation division.

Whether it is the technology or the price, we have strong and professional potential to assist our clients enhancing the competitiveness.



# Brant Hydraulics Corporation

Brant is a manufacturer of hydraulic cylinders, also a window to all the international business in BSTG. Our divisions are involved in quality design, engineering and manufacturing of custom equipments, and we offer the broadest line of solutions for the hydraulic industry. Over the last decade, Brant™ has grown by bringing together recognition as a major producer of heavy-duty, precision-machined, hydraulic cylinders and systems in the fluid power industries.





Brant Science & Technology Group

# Why BSTG?

## Cost Down for Enhanced Competitiveness

We acquire various materials directly from our materials supplier partners and through multi-national operation with reasonable cost, stable quality and dependable delivery. The integration of BSTG enables us having the lowest possible handling charge and overhead cost.

## Professional Assistance in Productivity

Members of BSTG consist of several different mechanical fields. Each of them has expertise in its field. Whether it is the technology or the price, we have strong and professional potential to assist our clients enhancing the competitiveness.

## Advanced Quality

Our manufacturing division integrates CAD-CAM for precision machining and dependable delivery. Quality, efficiency and responsiveness to our customers' needs are our primary goals. The skills and experience of our specialists ensure perfect execution. Whatever your needs are, whether limited runs or mass production, BSTG has the answers.

## Our distinguishing features include:

- Years of combined product, technology and engineering experience in mechanical field.
- Group of teamwork with various expertise manufacture workshops.
- Partnership with material suppliers and other corporations.
- Capable to organize systematically and to link different fields to meet criteria.
- Source among the sources to offer the most competitive prices.

BSTG is a well-integrated group, and our group certainly can support any given projects. From material obtaining to design and manufacture, we could work as your partner or subcontractor. Either it is outsourcing, OEM or ODM, we have the optimum solution to co-operate with you.



## Material Obtaining

Members from BSTG include raw material suppliers which are able to supply raw materials of different specifications with lowest cost possible stably.



## Forging Plants

Forging plants from BSTG are able to forge tubes and rod in all different dimensions including special equipments for large tube and rod.



## Machining

We have great abilities of machining that are able to machine large or super long work pieces.







## Hard Chrome Plating

Our hard chrome plating shops have the abilities and experiences of performing coating treatment on large and long work pieces.



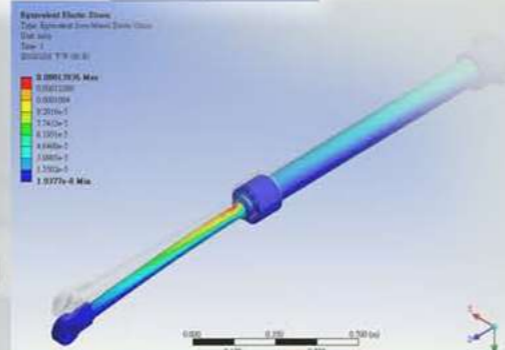
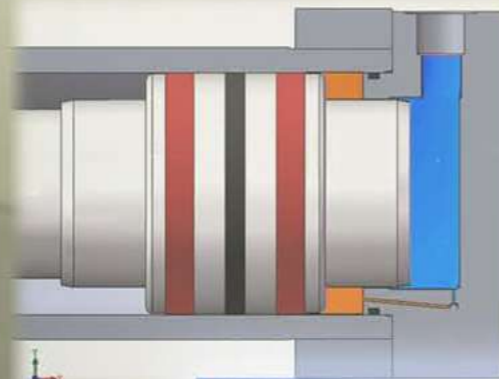
## Quality Control

We strictly follow ISO9001 to control the quality of our products. We also have a complete quality control plan and system with good traceability. Our certified specialists inspect materials, dimensions, assembling, welding and defect inspection.



## Design Capability

We have decades of design experience in fluid power. And all our products would be verified by FEA (Finite Element Analysis), strength checking, static and dynamic analysis, and designed by 3D CAD system. With CAD-CAM integration, we are able to estimate the cost accurately and assist the manufacturing in becoming more precise.



The Right Supplier for you .

## Cylinders for Steel Mill

ISO 6022, 6020/1, 6020/2, DIM 24333, JOHS 110  
Standard Cylinder for Steel Mill



Including for:

- Coke oven plant
- Sinter plant
- Iron making
- EAF steel making
- Continuous caster
- Hot rolling mill
- Cold rolling mill
- Temper and recoil line

ISO 6022

ISO 6020/1



JOHS 110



ISO 6020/2



Cylinder with Proximity Switch &  
Cylinder with Linear Transducer

All Brant' s cylinders are able to apply ceramic rod, equipped with linear transducer, or proximity switch for applications. This contactless and absolute position measuring system is pressure tight up to 50MPa.



The Right Supplier for you .

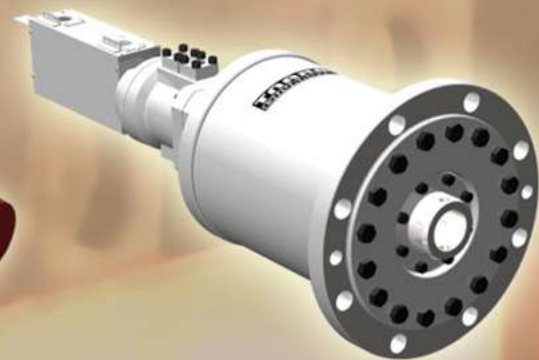
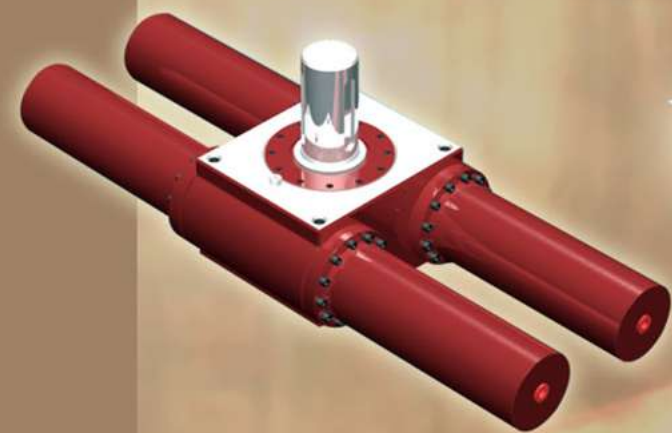
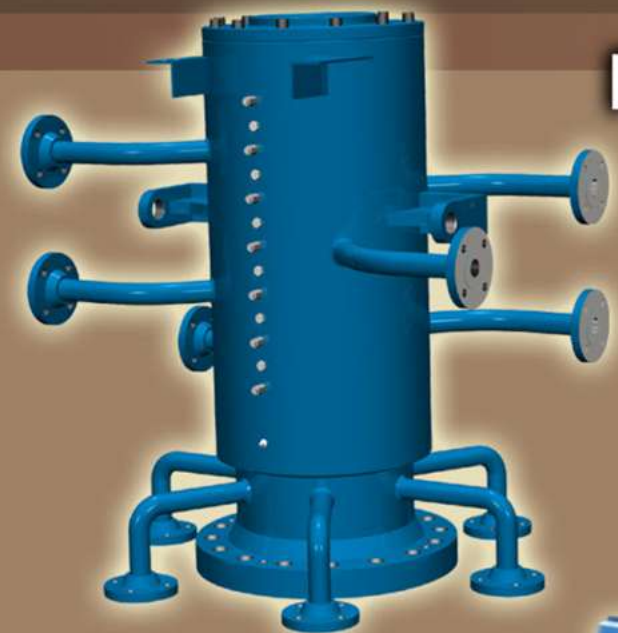


## Custom Designed Cylinders for Steel Mill

A.G.C. Cylinders (Automatic Gauge Control) ,  
Balance & Bending Cylinders



## Roller Change Cylinders, Rotary Cylinders, Swivel Cylinders



## Servo Cylinders with Linear Transducer

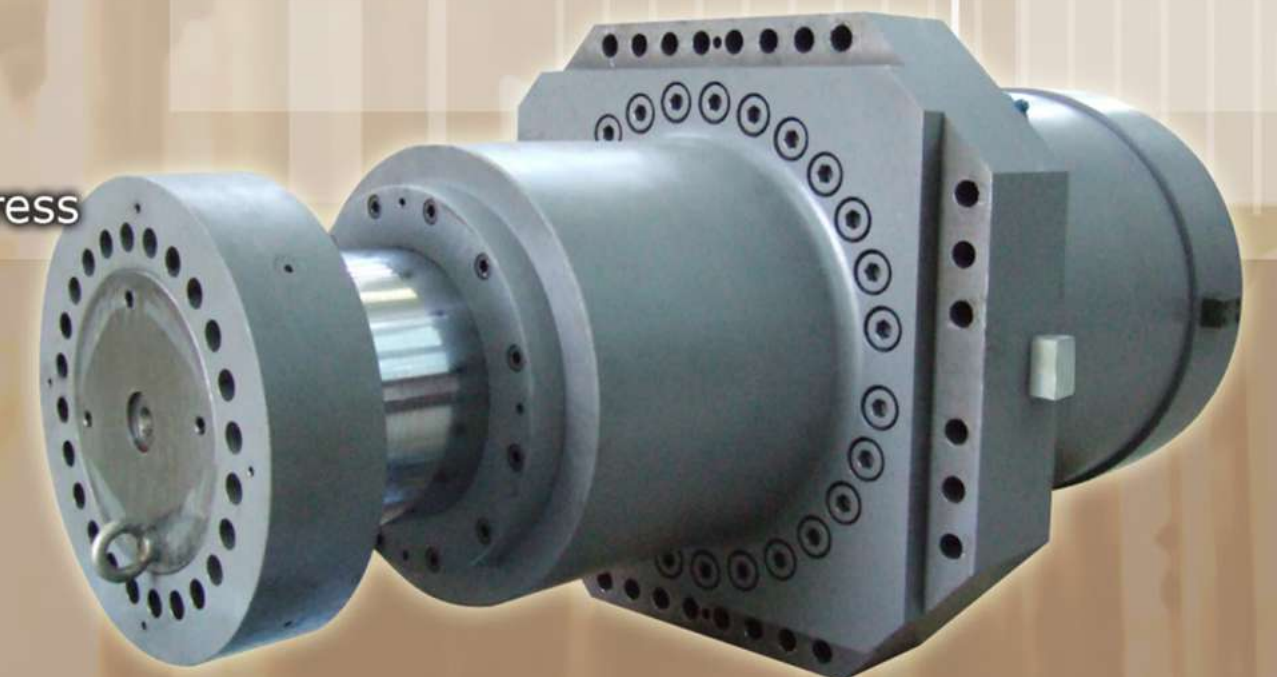


## Custom Designed Cylinders for Press Machine

We offer a variety of high-quality hydraulic presses from 10 ~ 6000 tons  
which provide durability, value and reliability.

Including for:

- Hydraulic forming press
- Hydraulic deep drawing press
- Hydraulic forging press
- Hydraulic scrap shear
- Extrusion press
- Die spotting press
- Transfer press





# Cylinders for Construction Machine

## Cylinders for Construction Vehicle

Including for:

- Excavator
- Scraper
- Dump Trailer
- Crane



## Hydraulic System and Cylinders for Bridge Construction Equipments

Including for:

- Advanced shoring method
- Incremental launching method
- Full-span precast and launching method (F.P.L.M)
- Tunnel boring machine
- Anti-seismic device



## Hydraulic Systems and Cylinders for Bridge Lifting Cylinder and Dam Gate Positioning (Anti-Corrosion Rod)



## Power Units



# System Integrating for Customer (OEM & ODM)

## 300 tons Test Equipment



## Down Coil



## Briquetting Press



## Hydraulic Equipment



## Scrap Shear



## Damper

